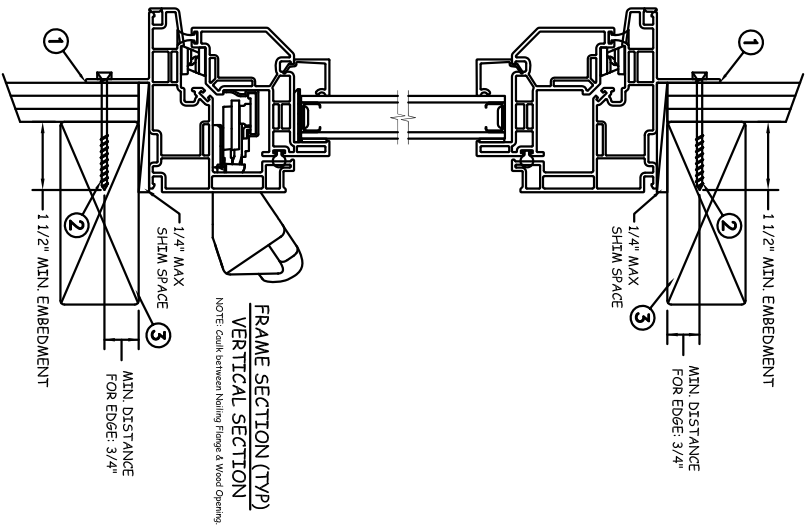
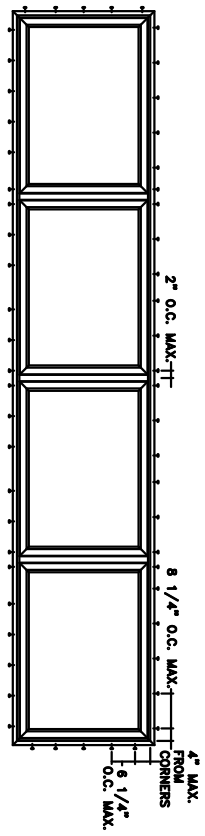
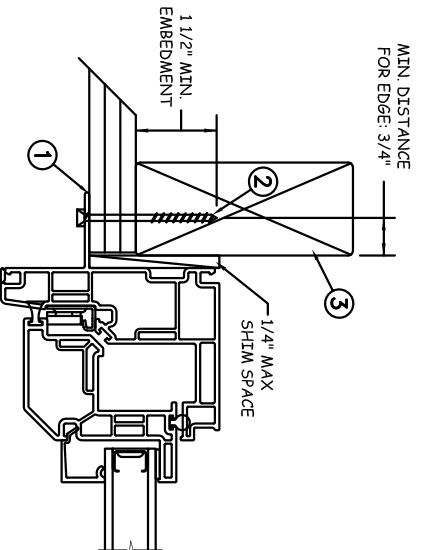


**NAIL FIN INSTALLATION**



FRAME SECTION (TYP)  
VERTICAL SECTION  
NOTE: Gasket Between Nail Fin Flange & Wood Opening.



JAMB SECTION (TYP)  
HORIZONTAL SECTION  
NOTE: Gasket Between Nail Fin Flange & Wood Opening.

Max Frame	DP RATING	IMPACT
192 x 36	+50/-55	NO

**Installation Notes:**

1. Seal flange/frame to substrate.
2. Use #8 PH or greater fastener through the nail fin with sufficient length to penetrate a minimum of 1 1/2" into the wood framing. For 2X wood frame substrate (min. S.G. = 0.42).
3. Host structure (wood buck, masonry, steel) to be designed and anchored to properly transfer all loads to the structure. The host structure is the responsibility of the architect or engineer of record for the project of installation.

**General Notes:**

1. The product shown herein is designed, tested and manufactured to comply with the wind load criteria of the adopted International Building Code(IBC), the International Residential Code(IRC), the Florida Building Code(FBC) excluding H/HZ and the industry requirement for the stated conditions.
2. All glazing shall conform to ASTM E1300.
3. At minimum, glazing shall be 3.0mm annealed - 11.94mm airspace - 3.0mm annealed Insulated glass.
4. Use structural or composite shims where required.

This schedule addresses only the fasteners required to anchor the window to achieve the rated design pressure up to the size limitations noted. It is not intended as a guide to the installation process and does not address the sealing consideration that may arise in different wall conditions. For the complete installation procedure, see the instructions packaged with the window or go to [www.jeld-wen.com](http://www.jeld-wen.com).

**DISCLAIMER:**

This drawing and its contents are confidential and are not to be reproduced or copied in whole or in part or used or disclosed to others except as authorized by JELD-WEN Inc.

PROJECT ENGINEER: --	DATE: 11/27/17	<p><b>JELD-WEN</b></p> <p>3737 Lakeport Blvd Klamath Falls, OR, 97601 Phone: (800) 535-3936</p>
DRAWN BY: A. MCMILLAN	SCALE: NTS	
CHECKED BY: J. GOOSSSEN	TITLE: Premium Vinyl Awning Window XXXX	
APPROVED BY: J. GOOSSSEN		
PART/PROJECT No.: D014782		
IDENTIFIER NO: SIW2015-053	PLANT NAME AND LOCATION:	
	CAD DWG. No.:	
	REV: A	
	SHEET	1 OF 1